

Lexmark MX710 and MX711 Series Monochrome Laser Multifunction Printer

More Versatility. More Solutions. More Capacity.

There's no such thing as too much of a good thing. The Lexmark MX710 Series MFP delivers faster print, copy and scan speeds, plus productivity solutions too. For even more advanced solutions, go with the MX710dhe, or the MX711dhe with hard disk drive.



Up to 66 ppm



Multiple Media Support



Security



Duplex ADF - single pass

Unison™
TONER



MX711de/dhe

Get More Done. Even Faster.

Now you can achieve much more in less time. Smoother workflows and faster speeds are just some of the great features that will help your business be more productive.

Faster Processing - Improve your print, scan and copy speeds by taking advantage of up to 3 GB of upgradable memory, an 800 MHz dual-core processor and Gigabit Ethernet.

Reliable Performance - Easily print up to 25,000 pages per month, plus enjoy fewer maintenance hassles, thanks to our state-of-the-art paper handling.

Keep Jobs Moving - With a maximum input capacity of up to 3,300 sheets and a high yield toner cartridge, you won't have to add paper or change cartridges as often.

Get Work Done Quickly - Enjoy print and copy speeds up to 60 pages per minute, produce your first page in as little as 4 seconds and scan a two-sided document in a single pass. Want to print or copy up to 66 pages per minute? Get the MX711.

Look Professional. Work Smart.

Using a multifunction printer is easier than you think. Our system's easy-to-read touch screen saves steps with the press of a button, so you can focus more on business.

Smart and Easy to Use - A vibrant 17.8 cm (7 inch) colour touch screen on the MX710 provides access to pre-installed workflow solutions. Want a larger 25.9 cm (10.2 inch) touch screen? Get the MX711.

Front USB Port - Print without a PC using our convenient USB port that lets you walk up, preview and print PDFs and many other file formats.

Print on a Wide Range of Media - With built-in two-sided printing and the ability to print on diverse materials, you can do more for your business and use less paper.

Innovative Toner That Optimises Performance - Get greater system performance with Lexmark's Unison™ Toner, which delivers consistent image quality from first print to last.

Intelligent Workflow. Secure Design.

Our pre-loaded business solutions simplify your work processes and increase productivity. Ultra-advanced security capabilities provide maximum protection for your critical business data.

Print Anytime and Anywhere⁶ - With this system, you can print from desktops as well as mobile devices that can run applications.

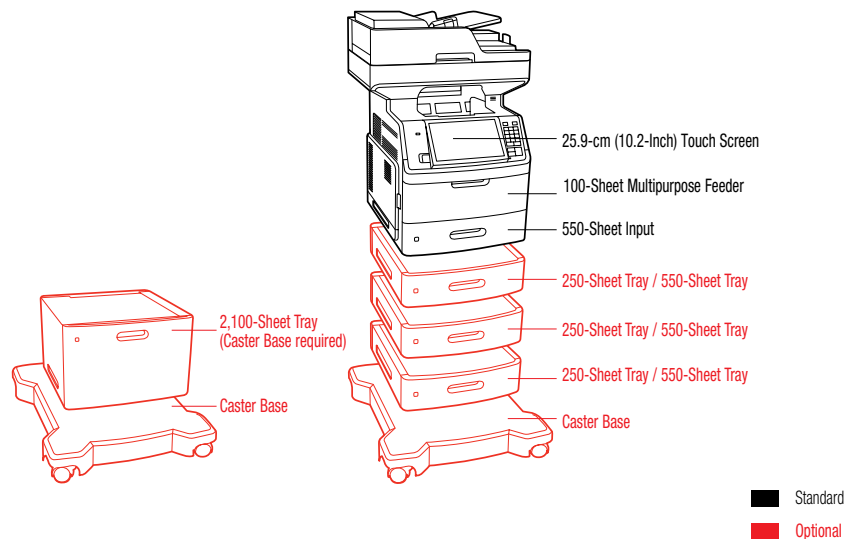
Apps Make It Easy - Pre-loaded solutions work much like mobile phone apps. Touch the screen and access shortcuts to scan, print, copy or send faxes, emails and other documents fast.

Enjoy Enterprise-level Security - Now you can authenticate, authorise and audit employee usage. You can also protect sensitive data using standard network security protocols, data encryption and disk wiping capabilities.

Identify Potential Risks - Track more than 100 variables and events, including user activity, with Audit Logging. It's designed to work with your intrusion detection system in real time.

LEXMARK™

Lexmark MX710 and MX711 Series Monochrome Laser Multifunction Printer



Product specifications	Lexmark MX710dhe	Lexmark MX711de	Lexmark MX711dhe
Printing	Printing, Network Scanning, Faxing, Copying, Colour Scanning		
Function	Printing, Network Scanning, Faxing, Copying, Colour Scanning		
Display	Lexmark e-Task 17.8 cm (7-inch) colour touch screen	Lexmark e-Task 25.9 cm (10.2-inch) colour touch screen	Lexmark e-Task 25.9 cm (10.2-inch) colour touch screen
Print Speed: Up to ¹	Black: 60 ppm	Black: 66 ppm	Black: 66 ppm
Time to First Page: As fast as	Black: 4.4 seconds	Black: 4.0 seconds	Black: 4.0 seconds
Print Resolution	Black: 600 x 600 dpi, 2400 Image Quality, 1200 x 1200 dpi, 1200 Image Quality		
Memory / Processor	Standard: 512 MB / Maximum: 2560 MB / Processor: Dual Core, 800 MHz	Standard: 1024 MB / Maximum: 3072 MB / Processor: Dual Core, 800 MHz	Standard: 1024 MB / Maximum: 3072 MB / Processor: Dual Core, 800 MHz
Hard Disk	Included in configuration	Option available	Included in configuration
Recommended Monthly Page Volume ²	5000 - 30000 pages		
Maximum Monthly Duty Cycle: Up to ³	275000 pages per month	300000 pages per month	300000 pages per month
Copying			
Copy Speed: Up to ⁴	Black: 60 cpm	Black: 66 cpm	Black: 66 cpm
Time to First Copy: As fast as	Black: 4.2 seconds	Black: 4.0 seconds	Black: 4.0 seconds
Colour Scanning			
Scanner Type / ADF Scan	Flatbed scanner with ADF / DADF (single pass Duplex) / 150 pages 75 gsm bond		
Duplex Scan Speed: Up to	A4/Ltr, Black: 70 / 72 sides per minute - A4/Ltr, Colour: 66 / 68 sides per minute		
Simplex Scan Speed: Up to	A4/Ltr, Black: 67 / 70 sides per minute - A4/Ltr, Colour: 67 / 70 sides per minute		
Optical Scanning Resolution	600 X 600 dpi (mono), 300 X 300 dpi (colour)		
Faxing			
Modem Speed	ITU T.30, V.34 Half-Duplex, 33.6 Kbps		
Supplies⁵			
Laser Cartridge Yields	6,000 ¹ -page Cartridge, 25,000 ¹ -page High Yield Cartridge	6,000 ¹ -page Cartridge, 25,000 ¹ -page High Yield Cartridge, 45,000 ¹ -page Extra High Yield Cartridge	45,000 ¹ -page Extra High Yield Cartridge, 25,000 ¹ -page High Yield Cartridge, 6,000 ¹ -page Cartridge
Imaging Unit Estimated Yield: Up to	100000 pages, based on 3 average letter/A4-size pages per print job and ~ 5% coverage		
Cartridge(s) Shipping with Product	10,000 ¹ -page Starter Return Program Toner Cartridge	25,000 ¹ -page High Yield Return Program Toner Cartridge	25,000 ¹ -page High Yield Return Program Toner Cartridge
Paper Handling			
Included Paper Handling	100-Sheet Multipurpose Feeder, 550-Sheet Input, 550-Sheet Output Bin, Integrated Duplex	550-Sheet Output Bin, 100-Sheet Multipurpose Feeder, 550-Sheet Input, Integrated Duplex	100-Sheet Multipurpose Feeder, 550-Sheet Output Bin, 550-Sheet Input, Integrated Duplex
Optional Paper Handling	550-Sheet Lockable Tray, 2100-Sheet Tray, 250-Sheet Lockable Tray, 550-Sheet Tray, 250-Sheet Tray	2100-Sheet Tray, 250-Sheet Lockable Tray, 550-Sheet Lockable Tray, 550-Sheet Tray, 250-Sheet Tray	250-Sheet Tray, 550-Sheet Tray, 550-Sheet Lockable Tray, 2100-Sheet Tray, 250-Sheet Lockable Tray
Paper Input Capacity: Up to	Standard: 650 pages 75 gsm bond / Maximum: 3300 pages 75 gsm bond		
Paper Output Capacity: Up to	Standard: 550 pages 75 gsm bond / Maximum: 550 pages 75 gsm bond		
Media Types Supported	Refer to the Card Stock & Label Guide, Card Stock, Dual Web Labels, Envelopes, Integrated Labels, Paper Labels, Plain Paper, Transparencies		
Media Sizes Supported	A6, Oficio, 10 Envelope, 7 3/4 Envelope, 9 Envelope, A4, A5, B5 Envelope, C5 Envelope, DL Envelope, Universal, Statement, Letter, Legal, JIS-B5, Folio, Executive		
General			
Connectivity (standard)	One Internal Card Slot, Gigabit Ethernet (10/100/1000), USB 2.0 Specification Hi-Speed Certified (Type B), Rear USB 2.0 Specification Hi-Speed Certified port (Type A), Front USB 2.0 Specification Hi-Speed Certified port (Type A)		
Optional Network Ports / Optional Local Ports	Internal MarkNet N8350 802.11b/g/n Wireless / RS-232C Serial Interface Card, Parallel 1284-B Interface Card		
Noise Level, Operating	Print: 57 dBA / Copy: 58 dBA / Scan: 57 dBA	Print: 58 dBA / Copy: 58 dBA / Scan: 57 dBA	Print: 58 dBA / Copy: 58 dBA / Scan: 57 dBA
Product Guarantee	1-Year Onsite Service		
Size (mm. - H x W x D) / Weight (kg)	727 x 548 x 578 mm / 43.3 kg		

¹ Average standard page yield value declared in accordance with ISO/IEC 19752. ² "Recommended Monthly Page Volume" is a range of pages that helps customers evaluate Lexmark's product offerings based on the average number of pages customers plan to print on the device each month. Lexmark recommends that the number of pages per month be within the stated range for optimum device performance, based on factors including: supplies replacement intervals, paper loading intervals, speed, and typical customer usage. ³ "Maximum Monthly Duty Cycle" is defined as the maximum number of pages a device could deliver in a month using a multi-shift operation. This metric provides a comparison of robustness in relation to other Lexmark printers and MFPs. ⁴ Print and copy speeds measured in accordance with ISO/IEC 24734 and ISO/IEC 24735 respectively (ESAT). For more information see: www.lexmark.com/ISOspecs. ⁵ Product functions only with replacement cartridges designed for use in a specific geographical region. See www.lexmark.com/regions for more details. ⁶ For more information on Lexmark Mobile Solutions see: lexmark.com/mobile



Unison is a trademark of Lexmark International, Inc. AirPrint and the AirPrint logo are trademarks of Apple Inc. Information in this document is subject to change without notice. ENERGY STAR® is a U.S. registered mark. All other trademarks are the property of their respective owners. Lexmark and Lexmark with the diamond design are trademarks of Lexmark International, Inc., registered in the United States and/or other countries.

