



# Lexmark MX517de



MX517de

## A 4-in-1 device with higher input, output and print speed

The MX517de MFP combines print, copy, scan and fax operations into a single, versatile device. With available input capacity up to 2,000 sheets and print speeds up to 45 pages per minute, your documents are processed quickly with few interruptions. It boasts a 4.3-inch colour touch screen and keypad to simplify tasks, 2-sided operation, built-in Gigabit networking, advanced security, available Extra-High-Yield cartridges that produce up to 20,000 pages, and mobile print capability.\*

## Get more done quickly

Now you can accomplish more in less time. The MX517de offers fast print and copy speeds, up to 45 pages per minute, and scan speeds up to 43 sides per minute, due to its dual-core processor, generous 512 MB of memory (expandable to 2.5 GB) and Gigabit networking. It can deliver the first page in as little as 6.5 seconds.



Up to 45 ppm



Network



Duplex



Unison Toner



Security



Mobility



4.3-inch touchscreen

## Security. Confidential Print. Mobile print capability.

Extensive network security features and protocols protect your device, information and network from unauthorized access. Keep your sensitive documents safe by enabling the Confidential Print feature, which requires entering a customized, unique PIN on the device's keypad before the document can be printed.

In addition, you can print from mobile devices using Lexmark's free Mobile Print app or an optional Wi-Fi adapter.

## Comprehensive warranty

The MX517de monochrome MFP is so well made, we back it with a solid 1-year warranty that offers you multiple ways to obtain help: phone, e-mail, live chat and remote assistance. Plus, if your device ever fails, we'll ship you a replacement device through our Advanced Exchange program so you're up and printing again as quickly as possible. See Statement of Limited Warranty for details.

\*Requires free Lexmark Mobile Print app with Android or iOS mobile device

### Extra-High-Yield cartridges produce up to 20,000 pages

Available Extra-High-Yield cartridges produce up to 20,000 pages and never require shaking, which minimizes interruptions and reduces cost per page. The Lexmark print system and Unison™ Toner ensure consistent print quality throughout the life of the cartridge to prevent wasted prints.

### User-friendly

The MX517de is simple to install, easy to use and offers built-in Gigabit networking for full compatibility with nearly every operating system and network, so you'll be up and running in minutes. It's built to last, so you'll easily be able to print up to 12,000 pages per month, thanks to our state-of-the-art paper handling technology.

The 4.3-inch colour touch screen offers quick access to fax and scan functions, as well as to pre-installed apps, such as Forms and Favourites, which lets you save frequently used documents and print them from the touch screen.

Lexmark's Mobile Print app for iOS and Android devices provides a simple and consistent user experience for printing from mobile devices. It features simple printer discovery and mobile print and scan.

A front USB port lets you print directly from a flash drive.

### Eco-friendly

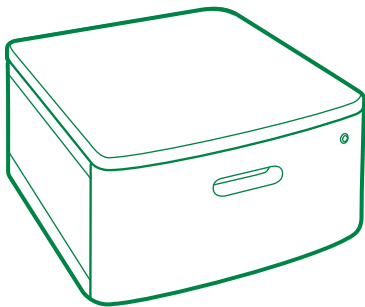
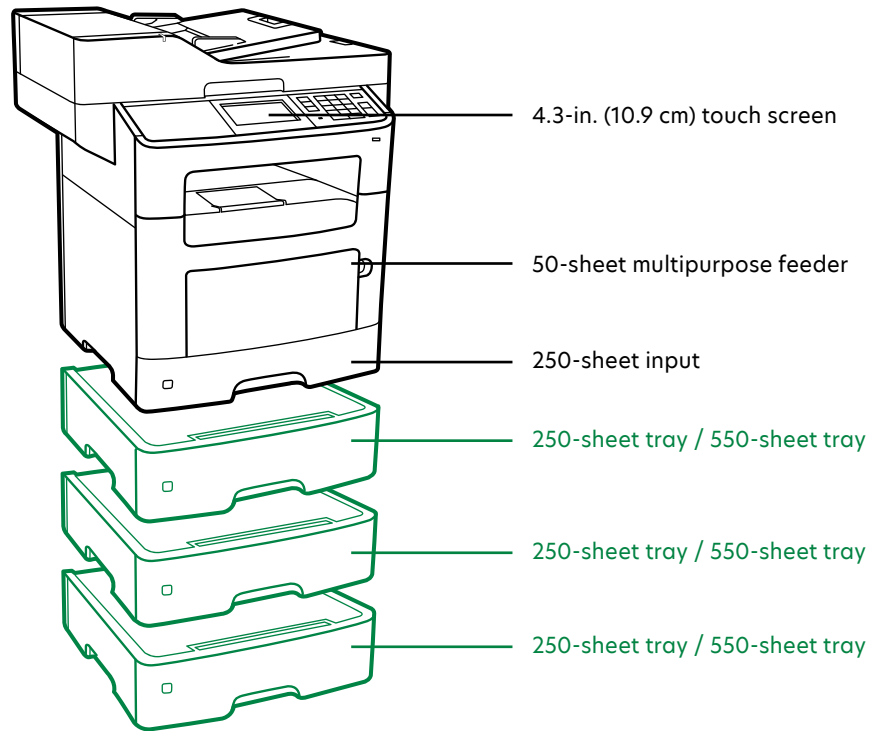
Built-in two-sided printing reduces paper use. The instant warm-up fuser saves energy and delivers the first printed page as fast as 6.5 seconds. Select an energy-saving mode (Quiet, Hibernate or Eco) to automatically minimize noise and energy consumption.

Through LCCP, the Lexmark Cartridge Collection Program, Lexmark offers a free and easy way for you to return your empty cartridges for sustainable recycling or remanufacturing.

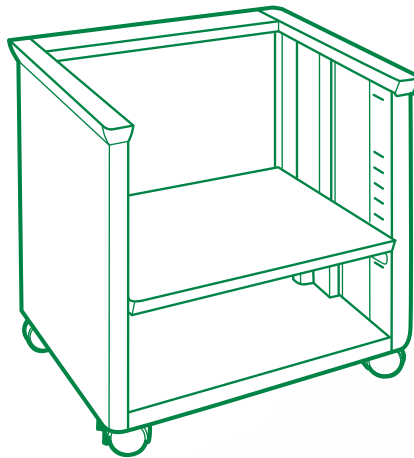


Product specifications	Lexmark MX517de
<b>Printing</b>	
Display	Lexmark e-Task 4.3-inch (10.9 cm) color touch screen
Print Speed: Up to <sup>6</sup>	Black: 45 ppm
Time to First Page: As fast as	Black: 6.5 seconds
Print Resolution	Black: 1200 Image Quality, 1200 x 1200 dpi, 2400 Image Quality, 600 x 600 dpi
Memory / Processor	Standard: 512 MB / Maximum: 2560 MB / Dual Core, 800 MHz
Hard Disk	Option available
Recommended Monthly Page Volume <sup>2</sup>	2000 - 12000 pages
Maximum Monthly Duty Cycle: Up to <sup>3</sup>	120000 pages per month
<b>Copying</b>	
Copy Speed: Up to <sup>6</sup>	Black: 45 cpm
Time to First Copy: as fast as	Black: 6.5 seconds
<b>Scanning</b>	
Scanner Type / ADF Scan	Flatbed scanner with ADF / RADF (reversing Duplex)
A4/Ltr Duplex Scan Speed: Up to	Black: 18 / 19 sides per minute / Colour: 8 / 9 sides per minute
A4/Ltr Simplex Scan Speed: Up to	Black: 41 / 43 sides per minute / Colour: 19 / 20 sides per minute
ADF Paper Input Capacity: Up to	50 pages 20 lb or 75 gsm bond
<b>Faxing</b>	
Modem Speed	ITU T.30, V.34 Half-Duplex, 33.6 Kbps
<b>Supplies<sup>7</sup></b>	
Laser Cartridge Yields (up to) <sup>1</sup>	2,500-page Cartridge, 8,500-page High Yield Cartridge, 20,000-page Extra High Yield Cartridge
Imaging Unit Estimated Yield: Up to	60000 pages, based on 3 average letter/A4-size pages per print job and ~ 5% coverage
Cartridge(s) Shipping with Product <sup>1</sup>	3,000-page Starter Return Program Toner Cartridge
<b>Paper Handling</b>	
Included Paper Handling	250-Sheet Input, 100-Sheet Multipurpose Feeder, 150-Sheet Output Bin, Integrated Duplex
Optional Paper Handling	250-Sheet Tray, 550-Sheet Tray, 550-Sheet Lockable Tray
Paper Input Capacity: Up to	Standard: 350 pages 20 lb or 75 gsm bond / Maximum: 2000 pages 20 lb or 75 gsm bond
Paper Output Capacity: Up to	Standard: 150 pages 20 lb or 75 gsm bond / Maximum: 150 pages 20 lb or 75 gsm bond
Media Types Supported	Card Stock, Envelopes, Paper Labels, Plain Paper, Transparencies, Refer to the Card Stock & Label Guide.
Media Sizes Supported	10 Envelope, 7 3/4 Envelope, 9 Envelope, A4, A5, DL Envelope, Executive, Folio, JIS-B5, Legal, Letter, Statement, Universal, Oficio, A6
<b>General Information<sup>4</sup></b>	
Standard Ports	One Internal Card Slot, USB 2.0 Specification Hi-Speed Certified (Type B), Gigabit Ethernet (10/100/1000), Front USB 2.0 Specification Hi-Speed Certified port (Type A), Rear USB 2.0 Specification Hi-Speed Certified port (Type A)
Optional Network Ports / Optional Local Ports	Internal MarkNet N8350 802.11b/g/n Wireless / Internal RS-232C serial, Internal 1284-B Bidirectional Parallel
Noise Level: Operating	Print: 56 dBA / Copy: 56 dBA / Scan: 55 dBA
Specified Operating Environment	Temperature: 16 to 32°C (60 to 90°F), Humidity: 8 to 80% Relative Humidity, Altitude: 0 - 2896 Meters (9,500 Feet)
Limited Warranty - See Statement of Limited Warranty	1-Year Onsite Service, Next Business Day
Size (mm - H x W x D) / Weight	502 x 489 x 452 mm / 21.8 kg

<sup>1</sup>Average standard page yield value declared in accordance with ISO/IEC 19752. <sup>2</sup>"Recommended Monthly Page Volume" is a range of pages that helps customers evaluate Lexmark's product offerings based on the average number of pages customers plan to print on the device each month. Lexmark recommends that the number of pages per month be within the stated range for optimum device performance, based on factors including: supplies replacement intervals, paper loading intervals, speed, and typical customer usage. <sup>3</sup>"Maximum Monthly Duty Cycle" is defined as the maximum number of pages a device could deliver in a month using a multishift operation. This metric provides a comparison of robustness in relation to other Lexmark printers and MFPs. <sup>4</sup>Printers are sold subject to certain license/agreement conditions. See [www.lexmark.com/printerlicense](http://www.lexmark.com/printerlicense) for details. <sup>5</sup>Actual Yield may vary based on other factors such as device speed, paper size and feed orientation, toner coverage, tray source, percentage of black-only printing and average print job complexity. <sup>6</sup>Print and copy speeds measured in accordance with ISO/IEC 24734 and ISO/IEC 24735 respectively (ESAT). For more information see: [www.lexmark.com/ISOspeeds](http://www.lexmark.com/ISOspeeds). <sup>7</sup>Product functions only with replacement cartridges designed for use in a specific geographical region. See [www.lexmark.com/regions](http://www.lexmark.com/regions) for more details.



Swivel cabinet



Adjustable printer stand

■ Standard  
■ Optional