



# Lexmark CX517de



CX517de

## Higher output. 7-inch screen. Combines 4 devices in 1.

The CX517de helps make sure your deliverables have a professional look, thanks to its color-matching tools and PANTONE® calibration. Enjoy printing, copying, and scanning at speeds up to 32 pages per minute. This reliable MFP includes built-in Gigabit networking, advanced security, two-sided print and scan, and a 7-inch color touch screen and keypad to simplify tasks, plus mobile print capability.\*

## In-house PANTONE color prints

Lexmark color-matching tools and PANTONE® calibration deliver rich, consistent color printing so you can save time and money by producing your color documents in-house. Thanks to a dual-core processor and generous 1GB of memory (expandable up to 3GB), even complex documents with graphics and images print quickly. The CX517de can deliver the first color page in as little as 11.5 seconds. With built-in two-sided printing, copying, scanning and faxing, this 4-in-1 device saves you space, time, paper and money.



Color



Up to 32 ppm



Network



Duplex



Unison Toner



Security



Mobility



7-in. touch screen

## Security. Confidential Print. Mobile print capability.

Extensive network security features and protocols protect your device, information and network from unauthorized access. Keep your sensitive documents safe by enabling the Confidential Print feature, which requires entering a customized, unique PIN on the device's keypad before the document can be printed.

In addition, you can print from mobile devices using Lexmark's free Mobile Print app or an optional Wi-Fi adapter.

## Comprehensive warranty

The CX517de color MFP is so well made, we back it with a solid 1-year warranty that offers you multiple ways to obtain help: phone, email, live chat and remote assistance. Plus, if your device ever fails, we'll ship you a replacement device through our Advanced Exchange program so you're up and printing again as quickly as possible. See Statement of Limited Warranty for details.

\* Requires free Lexmark Mobile Print app with Android or iOS mobile device

## High Yield cartridges print up to 3,500 color pages

To help lower cost per page, available High Yield cartridges produce up to 3,500 color pages and available Extra High Yield cartridges produce up to 8,000 black pages. They never require shaking, which minimizes interruptions and keeps work moving. The Lexmark print system and Unison™ Toner ensure consistent print quality throughout the life of the cartridge to prevent wasted prints.

## User-friendly

The CX517de is simple to install, easy to use and offers full compatibility with nearly every operating system and network, so you'll be up and running in minutes. It's built to last, so you'll easily be able to print up to 7,000 pages per month, thanks to our state-of-the-art paper handling technology.

The 7-inch color touch screen is customizable, and includes quick access to copy, fax and scan functions, and to pre-installed apps, such as Forms and Favorites, which lets you save frequently used documents and print them from the touch screen.

Lexmark's Mobile Print app for iOS and Android devices provides a simple and consistent user experience for printing from mobile devices. It features simple printer discovery and mobile print and scan.

An automatic document feeder simplifies copying, scanning and faxing with multipage documents.

## Eco-friendly

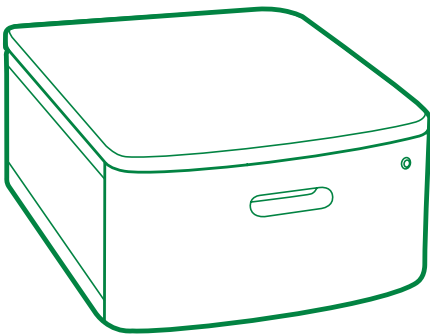
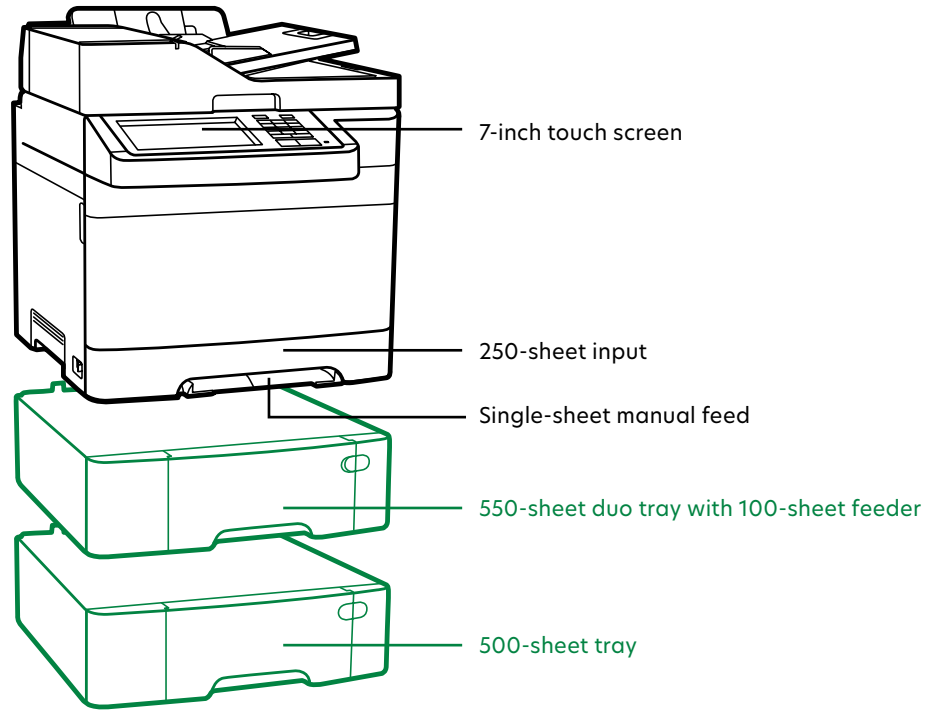
Built-in two-sided printing reduces paper use. The instant warm-up fuser saves energy and delivers the first color page in as little as 11.5 seconds. Select an energy-saving mode (Quiet, Hibernate or Eco) to automatically minimize noise and energy consumption.

Through LCCP, the Lexmark Cartridge Collection Program, Lexmark offers a free and easy way for you to return your empty cartridges for sustainable recycling or remanufacturing.

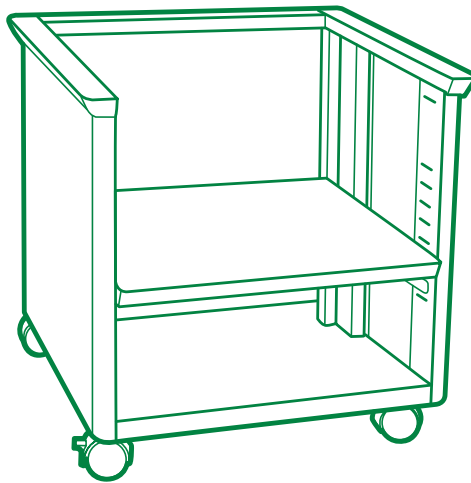


Product specifications	Lexmark CX517de
<b>Printing</b>	
Display	Lexmark e-Task 7-inch (17.8 cm) color touch screen
Print Speed: Up to <sup>5</sup>	Black: 32 ppm / Color: 32 ppm
Time to First Page: As fast as	Black: 10.5 seconds / Color: 11.5 seconds
Print Resolution	Black: 1200 x 1200 dpi, 4800 Color Quality (2400 x 600 dpi) / Color: 1200 x 1200 dpi, 4800 Color Quality (2400 x 600 dpi)
Memory / Processor	Standard: 1024 MB / Maximum: 3072 MB / Dual Core, 800 MHz
Hard Disk	Not Available
Recommended Monthly Page Volume <sup>3</sup>	1500 - 7000 pages
Maximum Monthly Duty Cycle: Up to <sup>2</sup>	85000 pages per month
<b>Copying</b>	
Copy Speed: Up to <sup>5</sup>	Black: 32 cpm / Color: 32 cpm
Time to First Copy: As fast as	Black: 10.8 seconds / Color: 11.6 seconds
<b>Scanning</b>	
Scanner Type / ADF Scan	Flatbed scanner with ADF / RADF (Reversing Duplex)
A4/Ltr Duplex Scan Speed: Up to	Black: 13 / 14 sides per minute / Color: 13 / 14 sides per minute
A4/Ltr Simplex Scan Speed: Up to	Black: 30 / 32 sides per minute / Color: 30 / 32 sides per minute
<b>Faxing</b>	
Modem Speed	ITU T.30, V.34 Half-Duplex, 33.6 Kbps
<b>Supplies<sup>7</sup></b>	
Laser Cartridge Yields (up to) <sup>1</sup>	8,000-page Black Extra High Yield Cartridge, 2,300-page Color (CMY) Cartridges, 3,000-page Black Cartridge, 3,500-page Color (CMY) High Yield Cartridges
Photoconductor Estimated Yield: Up to <sup>6</sup>	40,000 pages, based on 3 average letter/A4-size pages per print job and ~ 5% coverage
Cartridge(s) Shipping with Product <sup>1</sup>	1,400-page Color (CMY) Starter Return Program Toner Cartridge, 3,000-page Black Starter Return Program Toner Cartridge
<b>Paper Handling</b>	
Included Paper Handling	250-Sheet Input, 150-Sheet Output Bin, Integrated Duplex, Single-Sheet Manual Feed
Optional Paper Handling	550-Sheet Tray, 550-Sheet Duo Tray with 100-Sheet Feeder
Paper Input Capacity: Up to	Standard: 250+1 pages 20 lb or 75 gsm bond / Maximum: 1450+1 pages 20 lb or 75 gsm bond
Paper Output Capacity: Up to	Standard: 150 pages 20 lb or 75 gsm bond / Maximum: 150 pages 20 lb or 75 gsm bond
Media Types Supported	Card Stock, Paper Labels, Plain Paper, Transparencies, Refer to the Card Stock & Label Guide.
Media Sizes Supported	A4, A5, Executive, Folio, JIS-B5, Legal, Letter, Universal, Oficio
<b>General Information<sup>4</sup></b>	
Standard Ports	USB 2.0 Specification Hi-Speed Certified (Type B), Gigabit Ethernet (10/100/1000), Front USB 2.0 Specification Hi-Speed Certified port (Type A), Rear USB 2.0 Specification Hi-Speed Certified Port (Type A)
Optional Network Ports	MarkNet N8352 802.11b/g/n Wireless
Noise Level: Operating	Print: 50 dBA / Copy: 50 dBA / Scan: 49 dBA
Specified Operating Environment	Temperature: 16 to 32°C (60 to 90°F), Humidity: 8 to 80% Relative Humidity, Altitude: 0 - 2896 Meters (9,500 Feet)
Limited Warranty - See Statement of Limited Warranty	1-Year Onsite Service, Next Business Day
Size (in. - H x W x D) / Weight (lb.)	18.44 x 17.48 x 23.2 in. / 62 lb.

<sup>1</sup>Average continuous black or continuous composite CMY declared cartridge yield up to this number of standard pages in accordance with ISO/IEC 19798. <sup>2</sup>Maximum Monthly Duty Cycle" is defined as the maximum number of pages a device could deliver in a month using a multishift operation. This metric provides a comparison of robustness in relation to other Lexmark printers and MFPs. <sup>3</sup>"Recommended Monthly Page Volume" is a range of pages that helps customers evaluate Lexmark's product offerings based on the average number of pages customers plan to print on the device each month. Lexmark recommends that the number of pages per month be within the stated range for optimum device performance, based on factors including: supplies replacement intervals, paper loading intervals, speed, and typical customer usage. <sup>4</sup>Printers are sold subject to certain license/agreement conditions. See [www.lexmark.com/printerlicense](http://www.lexmark.com/printerlicense) for details. <sup>5</sup>Print and copy speeds measured in accordance with ISO/IEC 24734 and ISO/IEC 24735 respectively (ESAT). For more information see: [www.lexmark.com/ISOspeeds](http://www.lexmark.com/ISOspeeds). <sup>6</sup>Actual Yield may vary based on other factors such as device speed, paper size and feed orientation, toner coverage, tray source, percentage of black-only printing and average print job complexity. <sup>7</sup>Product functions only with replacement cartridges designed for use in a specific geographical region. See [www.lexmark.com/regions](http://www.lexmark.com/regions) for more details.



Swivel cabinet



Adjustable printer stand

■ Standard  
■ Optional